



Ermator

OPERATING INSTRUCTIONS

Air scrubber

A600

A1200

Introduction

Dear Customer,
Thank you for choosing Ermator as your supplier.

We hope that the Ermator air cleaner will be to your satisfaction and meet your expectations.

Ermator has been manufacturing professional dust extractors since 1966 and has over the years acquired a genuine technical knowledge in this area. We continuously strive to improve in our product segment and will continue to supply the market with new equipment.

Notice!

These instructions are only for the air cleaner type Ermator A600/A1200.

The air cleaner, Ermator A600/A1200 can only be used with dry, non-explosive materials.

Ermator will not be held responsible if the air cleaner is used for other applications or has been used in ways other than those outlined in this instruction manual.

Before using the machine, please read the safety regulations carefully.

Read the complete instruction manual before using the Ermator A600/A1200.

All spare parts used for the Ermator A600/A1200 must those specified by Ermator AB.

Unpacking

When unpacking the machine, please check that the air cleaner has not been damaged in transport.

Safety Instructions

Handling

Warning

- Cables damaged through crushing or splitting can be dangerous if used and should be replaced immediately. Risk of personal injury.

Warning

- Do not connect the machine to an unearthed socket. Risk of personal injury.

Warning

- Make sure the assembly area is firm, so the air cleaner does not tip over. Risk of personal and material injury.

Warning

- Risk of pinching when handling the toggle fastener.

Warning

- The machine must not be used in environments where explosive gases may be present. Serious risk of explosion

Warning

- The machine should be turned off at the switch before releasing the power lead from the wall outlet. If the switch is in the on position, a spark can occur between the contact on the power lead contact.

Service

Warning

- Remove the plug from the wall socket when carrying out maintenance work. Risk of personal injury.

Warning

- Dust that is hazardous to health can be spread when the coarse filter and the absolute filter are replaced. Accordingly, the user should wear protective glasses, protective gloves, and a breathing mask conforming to protection class FFP2

Warning

- Do not puncture the absolute filter. Risk of dust dispersion.

Function

Connect the lead to the power outlet, attach the outlet hose if available. Start the machine by pressing the start knob. The air cleaner has two speeds.

The air cleaner separates material in two stages:

The first stage uses a coarse filter. This traps the bigger particles and acts as protection for the main filter. The coarse filter should be changed on a daily basis.

The second absolute filter separates the unhealthy dust that is invisible to the eye.

Coarse filter characteristics

The coarse filter is strong and easy to change. It has low pressure drop and good separation capability. The coarse filter takes care of big particles and acts as protection for the absolute filter.

Main filter characteristics

The main filter is an absolute filter with class HEPA H13 that is dimensioned for fine, dry dust and should be preceded by a pre-filter.

Caution

- The operating life of the absolute filter decreases and can be completely destroyed if exposed to water.

Caution

- The absolute filters cannot be cleaned and must be replaced when full.

Filter indicator

A600/A1200 has two filter indicators connected to a warning light which measures the pressure drop over the filter. If the pressure drop is too high, a orange lamp light up, indicating that the absolute filter should be changed. Using the air cleaner when light is showing will reduce the effectiveness of the machine. When the pressuredrop is too low, a red lamp will light up, indicating that the Hepa filter is leaking/damaged and needs to be replaced immediately.

Fan

The air cleaner is equipped with a single, 1 phase fan.

Risk of dust dispersion - Use of personal safety equipment

Unhealthy dust can be spread when cleaning the coarse filter and during filter change.

Accordingly, the user should wear protective glasses, protective gloves, and a breathing mask conforming to protection class FFP2.

Accessories

PART NO.	DESCRIPTION	No./machine	Machine
200900275	Coarse filter	1 pc	A600
200700532	Hepafilter	1 pc	A600
200900224	Coarse filter	1 pc	A1200
10085	Hepafilter	1 pc	A1200

Contact your local representative for other spare parts.

Warranty

All Ermator devices and accessories have a 12-month factory warranty for material and manufacturing defects. When returning the attached warranty slip, the warranty extends to 36 months. Do not attempt to repair the suction apparatus without the consent of the manufacturer.

The warranty does not cover defects which are the result of normal wear and tear, negligence, defective use, unauthorised repair or the suction apparatus being connected to the incorrect voltage. In the event of any complaint, the suction apparatus or an agreed part of it must be returned to us or our authorised representative for warranty examination and for any warranty repair or replacement.

PROBLEM SOLVING

The A600/A1200 is designed and manufactured for a severe environments and tasks, but the user must note that the machine components must be protected from knocks and blows. Filter and sealing connections are carefully chosen to serve the operator. Therefore, the machine must be handled with care if it is to work correctly for many years.

Problem	Cause	Procedure
The fan does not start	No power Cable defective Switch defective	Connect the machine Change Change
The fan stops immediately	Wrong fuse	Connect the correct fuse
The fan runs, but suction is poor	Blocked filter Cover loose Sealing defect	Change filter Adjust Change current seal
Dust blows from unit	Defective or loose filter	Adjust or change
Abnormal noise		Order service

Keep these instructions!

TECHNICAL DATA

Air cleaner	A600	A1200
Voltage	120 VAC (1-phase)	120 VAC (1-phase)
Max power output	400 W (full speed)	600 W (full speed)
Max Airflow 2 speed	1000 m ³ /h	2000 m ³ /h
Pre filter size	0,16 m ²	0,64 m ²
HEPA FILTER		
Filter classification	H13	H13
Filter Area	3,5 m ²	10,5 m ²
Sound level 2 speed	58 / 65 dB(A)	60 / 68 dB(A)
Sound level LxWxH (mm)	465x385x466	724x424x810
Weight	20 kg	38 kg

**OM ÖVERENSSTÄMMELSE
DECLARATION OF CONFORMITY
DECLARATION DE CONFORMITÉ
ERKLÄRUNG DER ÜBERSTIMMUNG
SAMSVARSERKLØRING**

**Pullman Ermator AB
Industrivägen 10
S-777 34 SMEDJEBACKEN**

*Försäkrar under eget ansvar att maskinen
Declare under our sole responsibility that the machine
Certifie sous sa propre responsabilité que le produit ciaprès
Versichern auf eigener verantwortung, dass das Produkt
Forsikrer under eget ansvar at maskinen*

A600	Nr./No: 0900061a0001-xxxx
A1200	Nr./No: 0900062a0001-xxxx

Tillv.år/Manufact.year/Baujahr: 2010-

*som omfattas av denna försäkring är i överensstämmelse med standarder:
included in this declaration, follows the provisions of the:
est conforme aux aux normes suivantes:
den folgenden Normen entspricht:
er i overensstemmelse med standarder:*

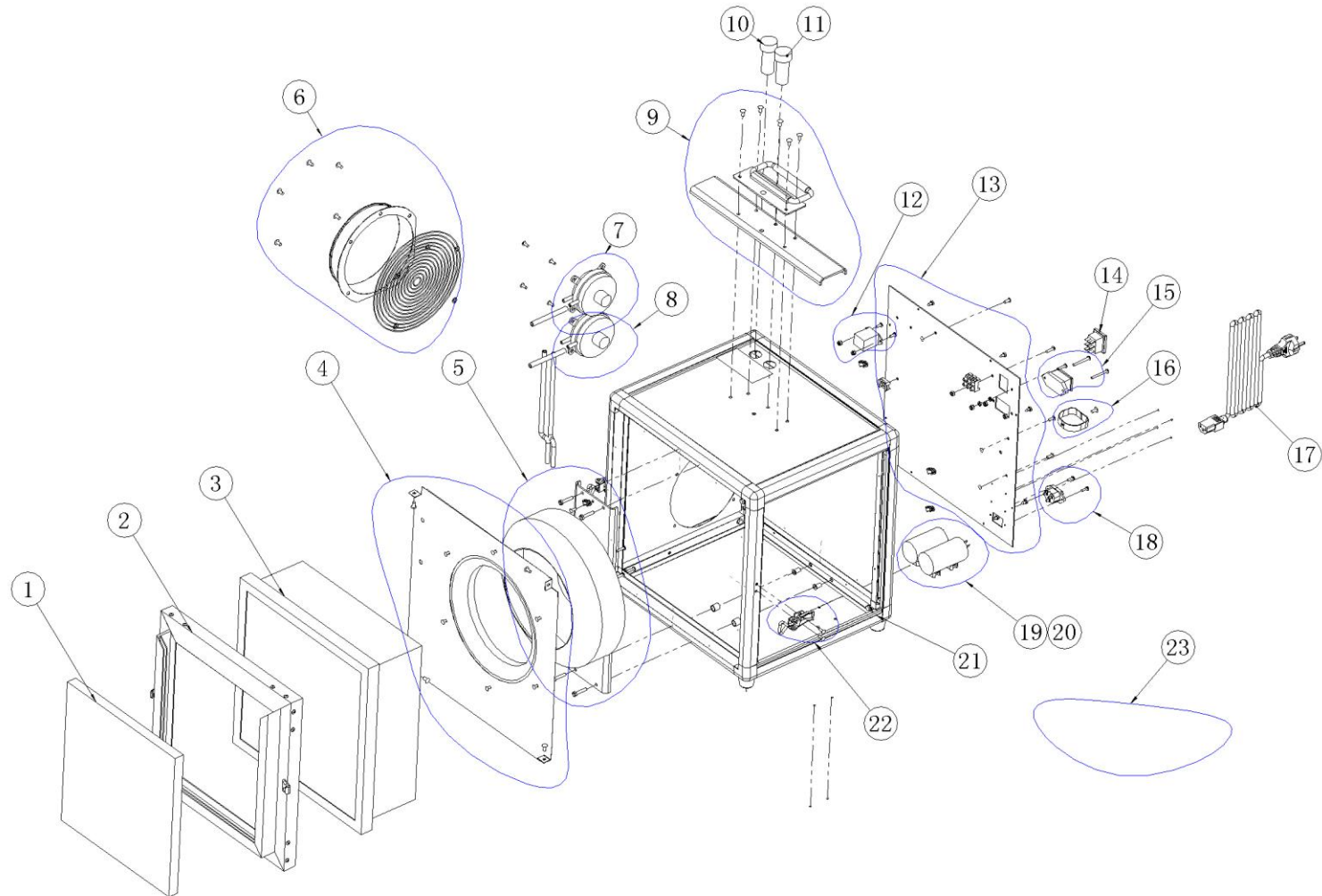
**SS-EN 292-1, SS-EN 60 204-1 (1993.11.30)
SS-EN 55011:1989
SS-EN 50082-1
SS-EN 60335-1, SS-EN 60335-2-69 & A1**

enligt villkoren i/according to/selon/aut/i henhold til vilkårene i
**Machine Directive 98/37/EEG
Low Voltage Directive 73/23/EEG
EMC Directive 89/336/EEG**

SMEDJEBACKEN 2006.01.01

Torbjörn Bengtsson
VD
General Manager

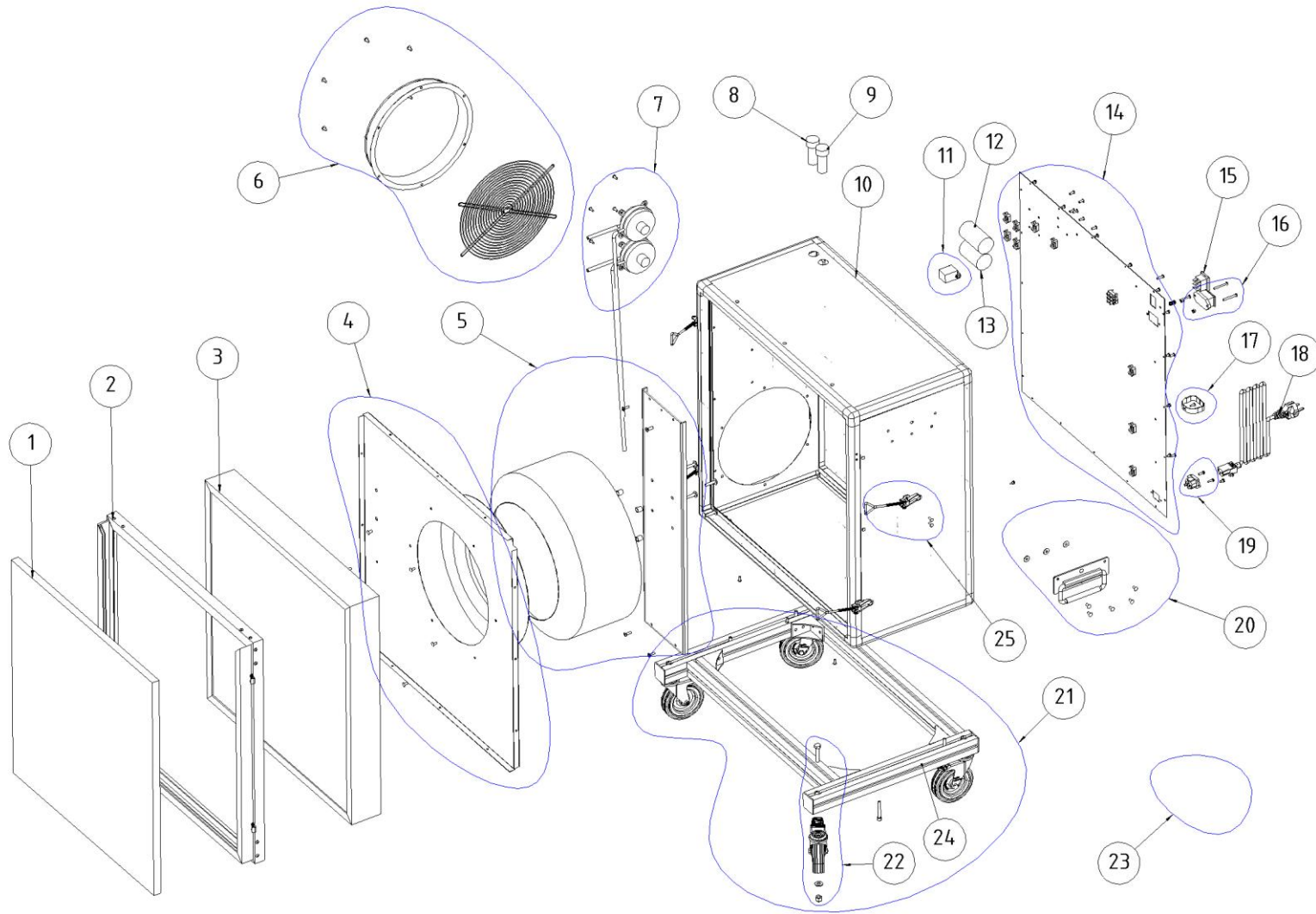
A600



A600

POS.	QTY.	NUMBER	DESCRIPTION
1	1	200900275	Pre-filter A1000 12x12x1 inch ex.A600&A1000
2	1	201000340	Front frame cover for A1000&A600
3	1	200700532	Filter
4	1	201000415	Front fan cover assembly ex.A600&A1000
5	1	201000416	Fan assembly set ex.A600 120v
6	1	201000417	Air outlet set ex.A600&A1000
7	1	201000418	Pressure sensor set ex. A-line
8	1	201000418a	Pressure sensor set ex. A-line
9	1	201000419	Handle set ex.A600&A1000
10	1	200900311a	Sound alarm 80dB yellow lamp
11	1	200900311	Sound alarm 80dB red lamp
12	1	201000420	Relay Set ex.A600
13	1	201000421	Backside plate set ex.A600 120v
14	1	6362109	Switch
15	1	201000133	Counter set
16	1	201000422	Cable fix set
17	1	200900336	Power core set 16AWG X3C 120v
18	1	201000339	Power Inlet Kit ex. A-line
19	1	201000423	Capacitor 25uF
20	1	201000424	Capacitor 100uF
21	1	201000425	AI frame box ex A600&A1000
22	2	201000426	Lock set ex. A600&A1000
23	1	200900295a	Cable kit A600 120v

A1200



A1200

POS.	QTY.	NUMBER	DESCRIPTION
1	1	200900224	Pre-filter of A1200&A2000
2	1	201000299	Front frame cover ex.A1200&A2000
3	1	10085	Filter ex.A1200&A2000
4	1	201000335	Front fan inlet cover ex.A1200&A2000
5	1	201000336	Fan assembly set ex.A1200
6	1	201000427	Air outlet set ex.A1200&A2000
7	2	201000428	Pressure sensor set (0-500) ex.A1200&A2000
8	1	200900311a	Sound alarm 80dB yellow lamp
9	1	200900311	Sound alarm 80dB red lamp
10	1	201000429	A1200&A2000 main box
11	1	201000430	Relay set ex.A1200
12	1	201000423	Capacitor 25 set
13	1	201000424	capacitor 100 set
14	1	201000431	Backside plate set ex.A1200
15	1	6362109	Switch
16	1	201000133	Counter set
17	1	201000422	Cable fix set
18	1	200900336	Power cord set 16AWG X3C
19	1	201000339	Power Inlet ex. A-line
20	2	201000338	Handle set ex.A1200&A2000
21	1	201000337	Carrier assembly
22	4	201000432	Wheel set ex.A1200&A2000
23	1	200900329a	Cable kit ex.A1200
24	1	201000280	Wheel frame assembly kit
25	4	200900306	Lock of A2000

